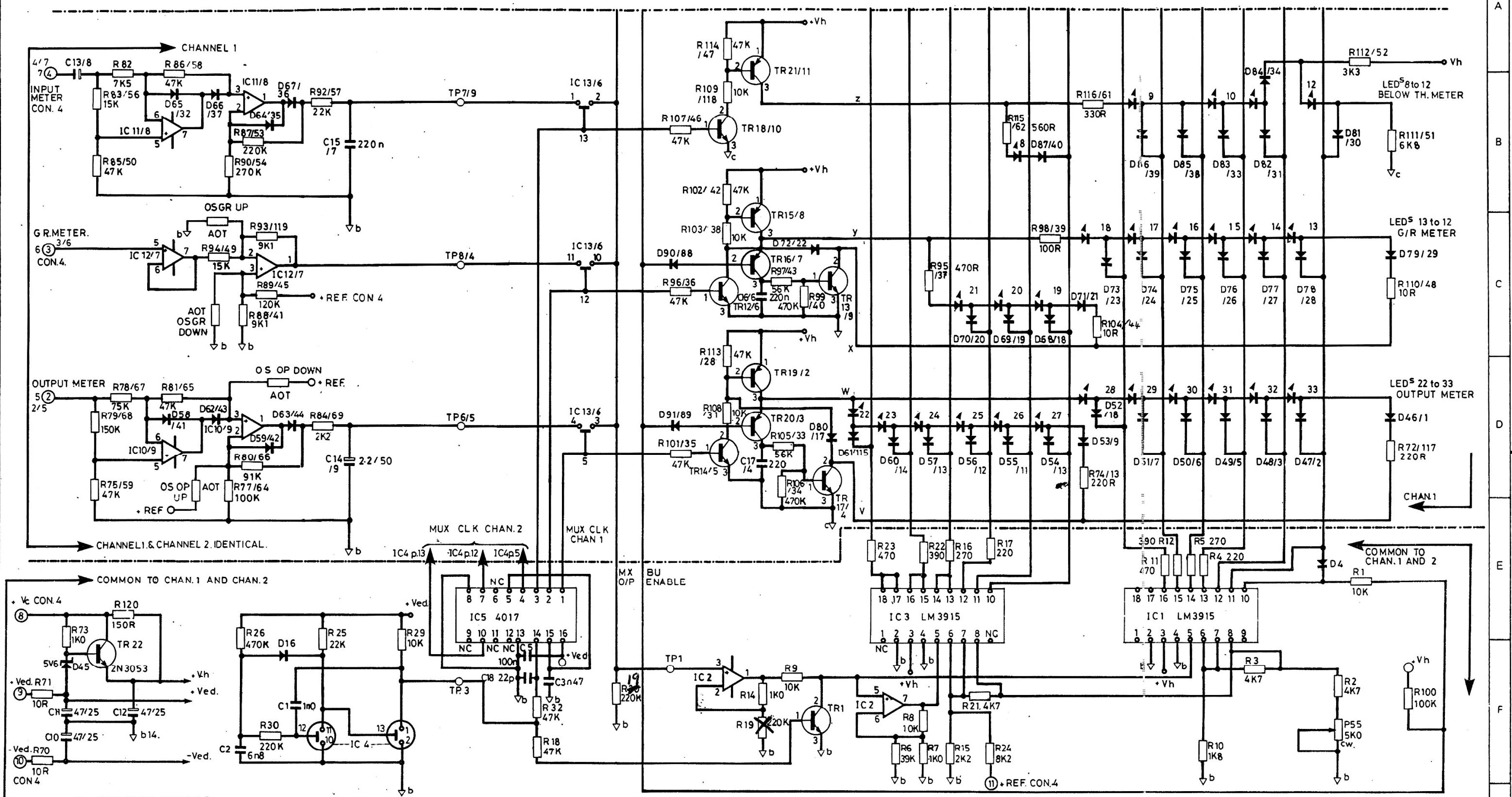


DRAWING NUMBER  
**DPR 402 B / 4**



ALL UNMARKED  
 .. DIODES - 1N4148      OUTPUT AMPS - 1/2 LF 353      POWER FROM ± Vcd  
 .. NPN = BC182          ANALOGUE SW. - 1/4 4066      POWER FROM Vcb  
 .. PNP = BC212

ISSUE	DATE	MOD. No.	ISSUE	DATE	MOD. No.
1	1-7-86	Corrections			
4	12-12-85	Corrections			
5	18-12-84				

MATERIAL
FINISH

TOLERANCES - UNLESS STATED  
 UNIT ± 0.  
 0 ± 0  
 00 ± 0  
 000 ± 0

DIMENSIONS IN

NOTES  
 CHANNEL ONE & TWO IDENTICAL  
 IN PART AS SHOWN  
 PCB ISSUE NUMBER 4

SCALE  
 DRAWN BY  
 DATE

© COPYRIGHT BSS BROOKE SIREN SYSTEMS SYDNEY ROAD, MUSWELL HILL, LONDON N10. UK Telephone 01-444 7892.

TITLE **DPR. 402 METERING CIRCUIT**  
 (COMPRESSOR PEAK LIMITER)  
 SERIAL N° 4800 AND UPWARDS

DRAWING-NUMBER **DPR 402 B**      ISS. 4